

BMW

K1300S



TECHNICAL DATA

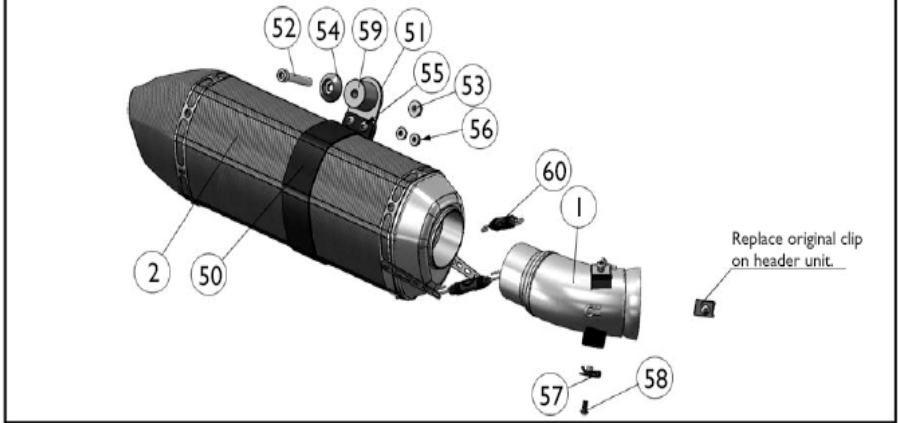
YEAR : '09~
Model : K1300S
Type : 0508
System : Hotcam 2 sport, Slip-on
Muffler material : K Sleeve: Carbon fibre,
 Endcap: Carbon fibre

Versions
 Laser Hotcam 2, Carbon Not-Homologated 73.7005.K

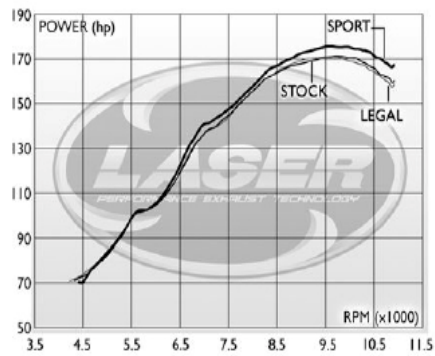


SLIP-ON

ORDERNO.:73.7005.*



POWERCURVE



TYPE APPROVAL

SPECIAL/OPTIONAL

ADDITIONAL INFORMATION



Sports versions suffix:

K

Homologated versions suffix:

